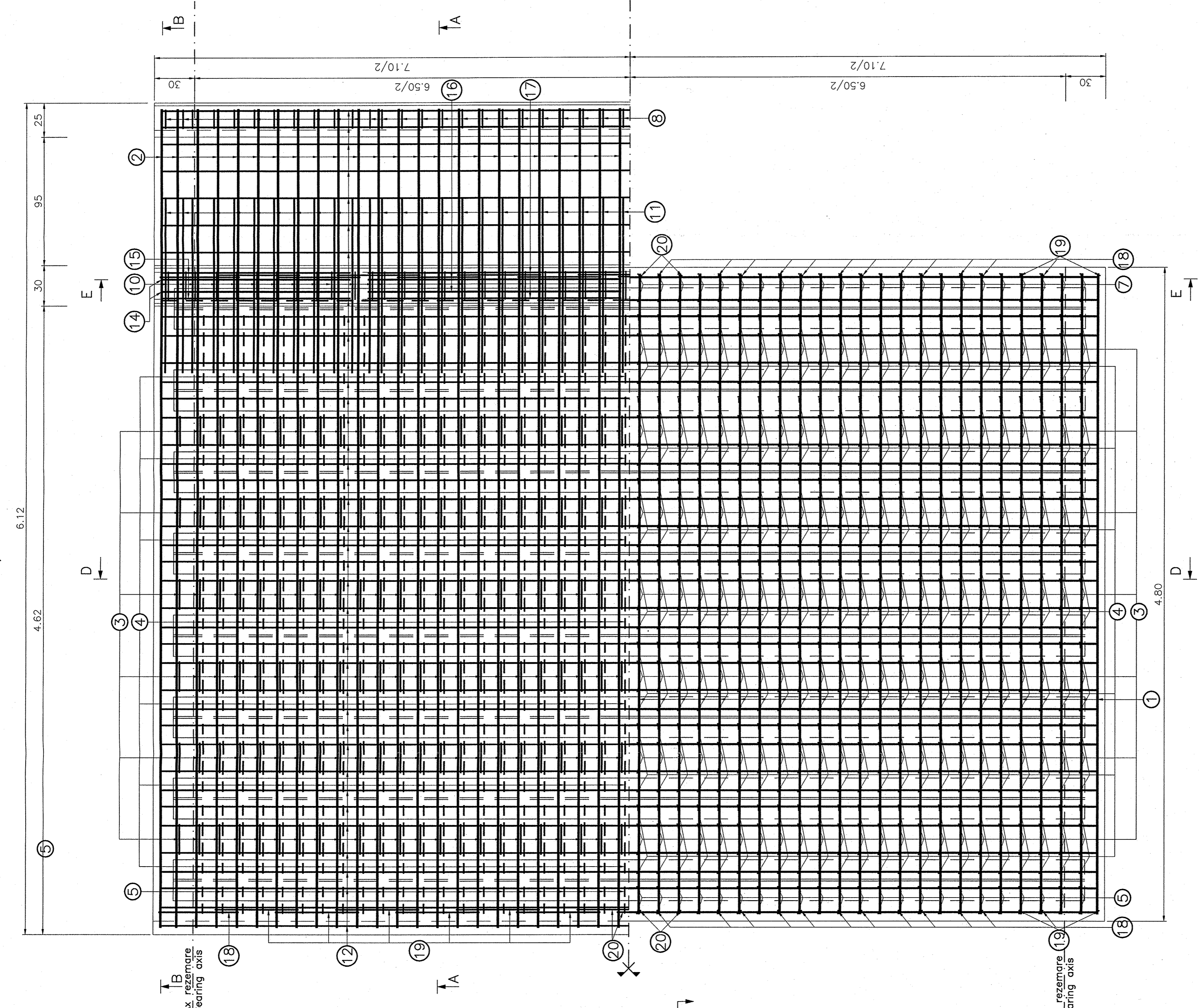
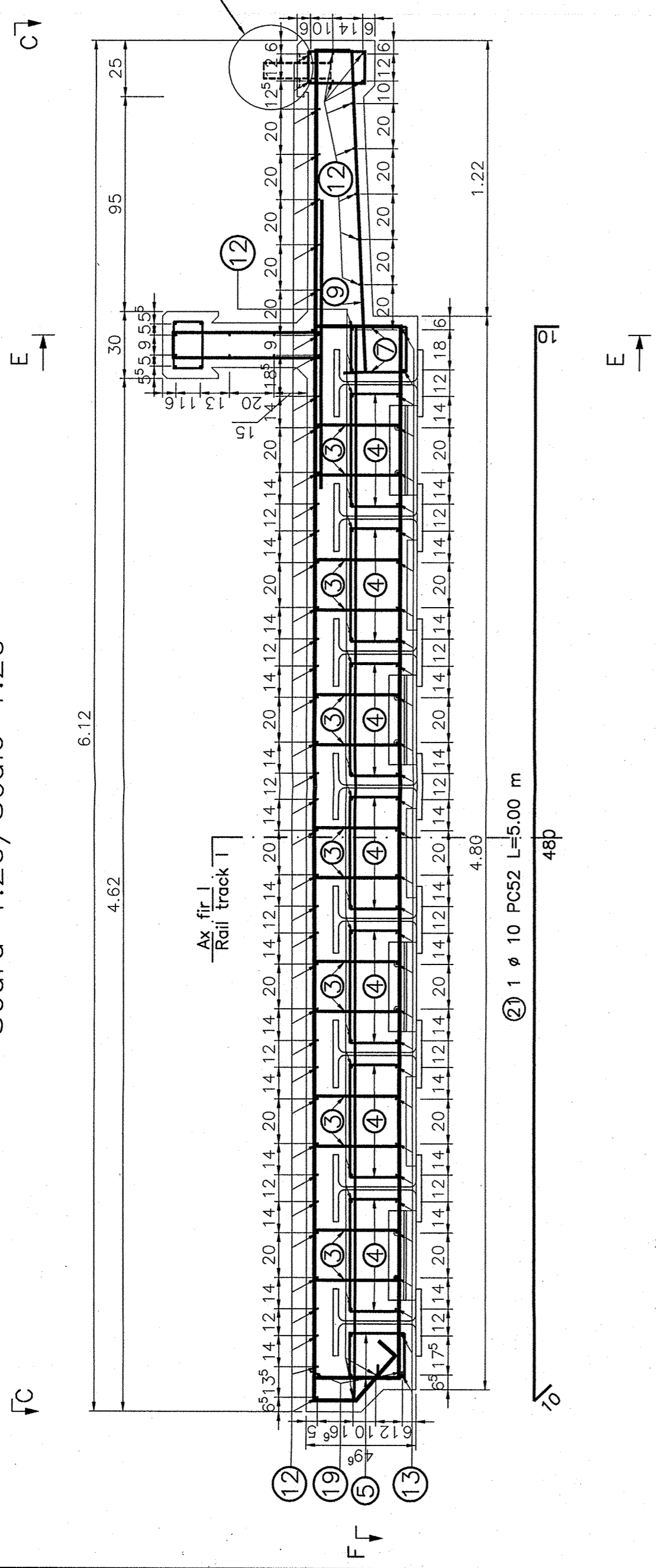


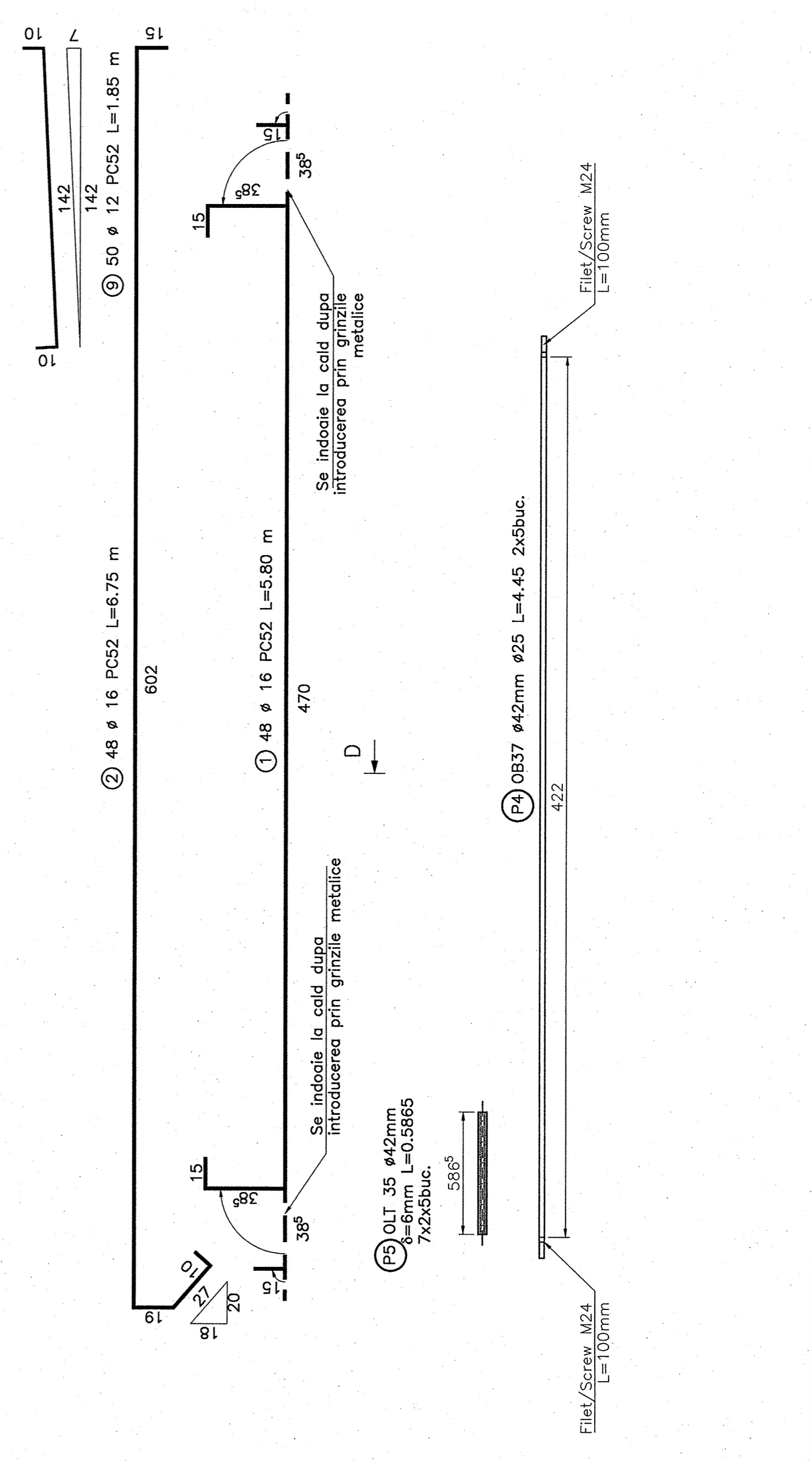
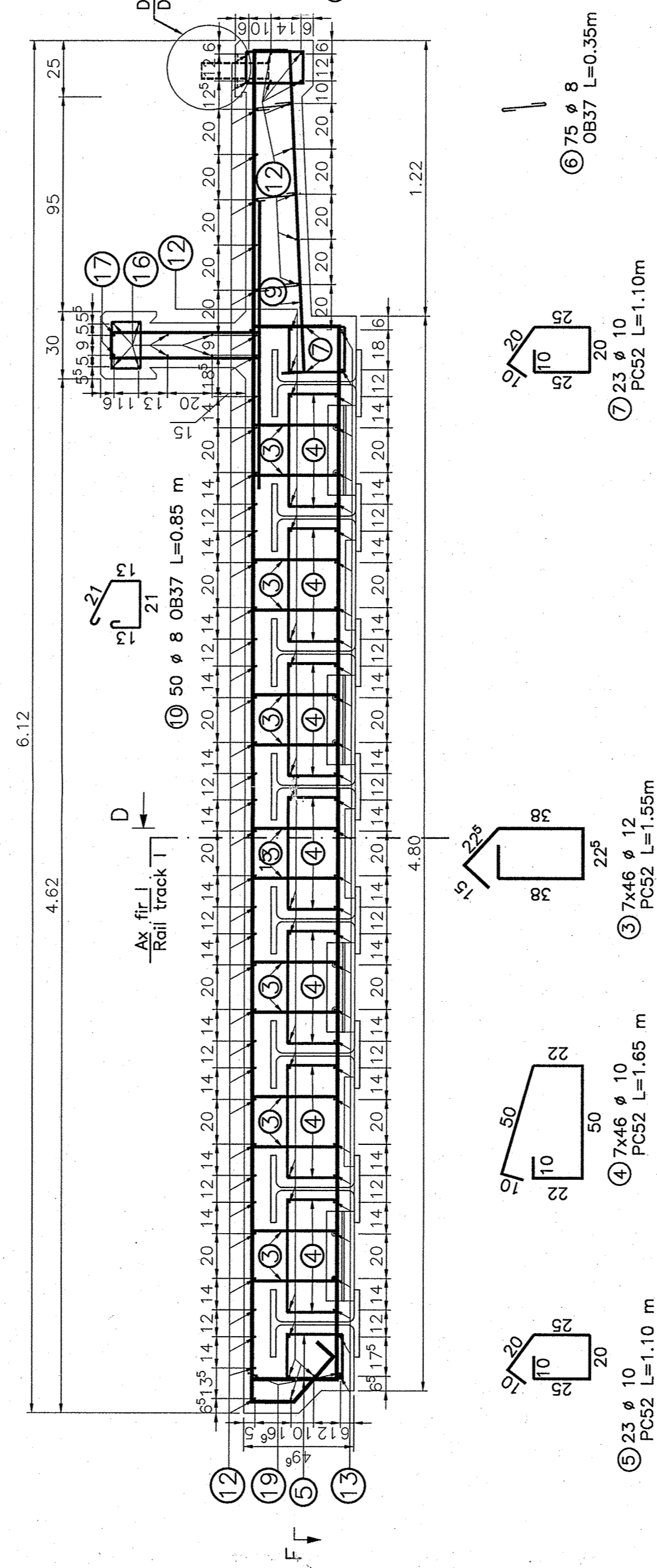
VEDERE ORIZZONTALA C-C/PLAN VIEW A-A  
Scara 1:20/Scale 1:20



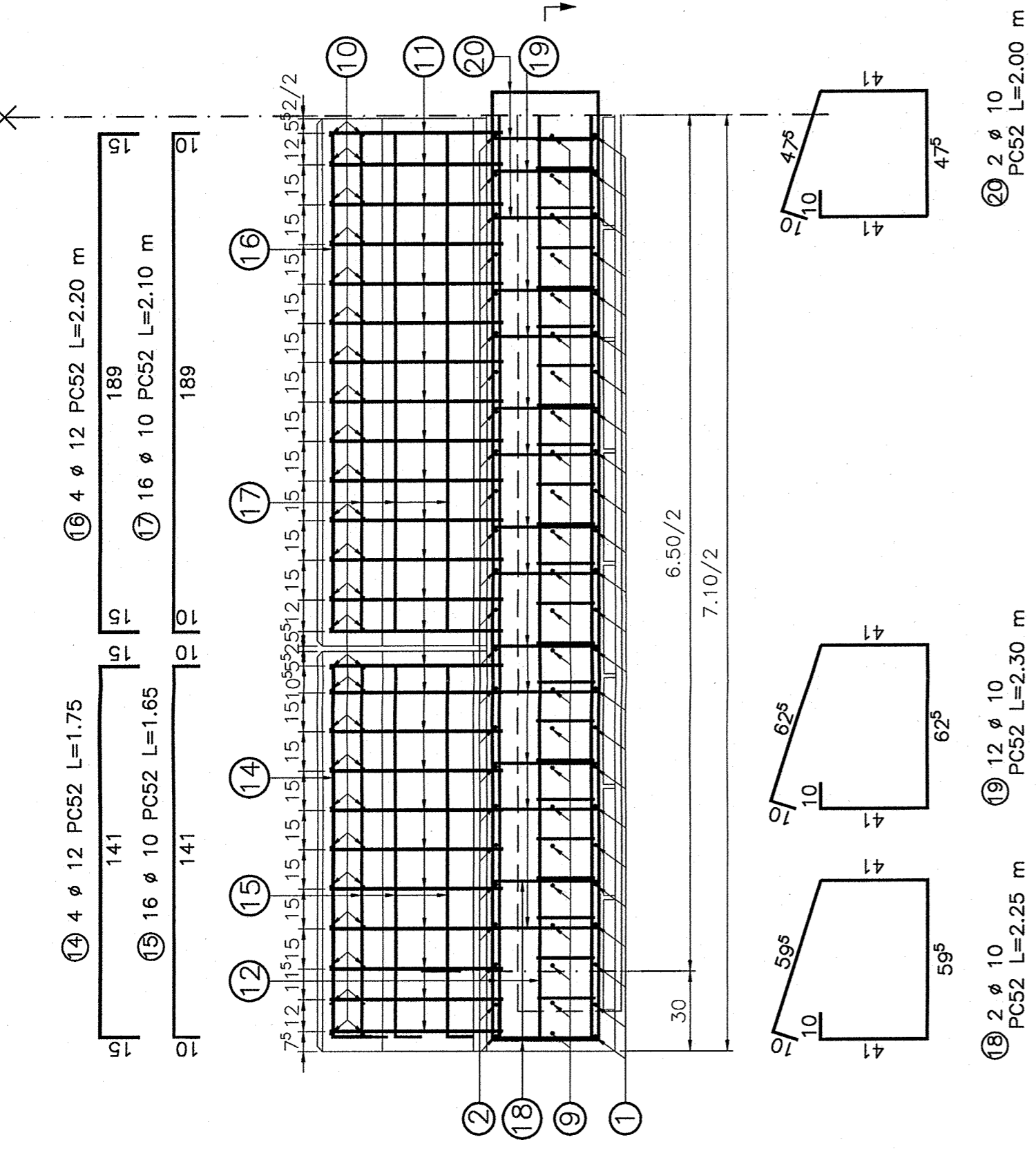
SECTIUNE TRANSVERSALA A-A/CROSS SECTION A-A  
Scara 1:20/Scale 1:20



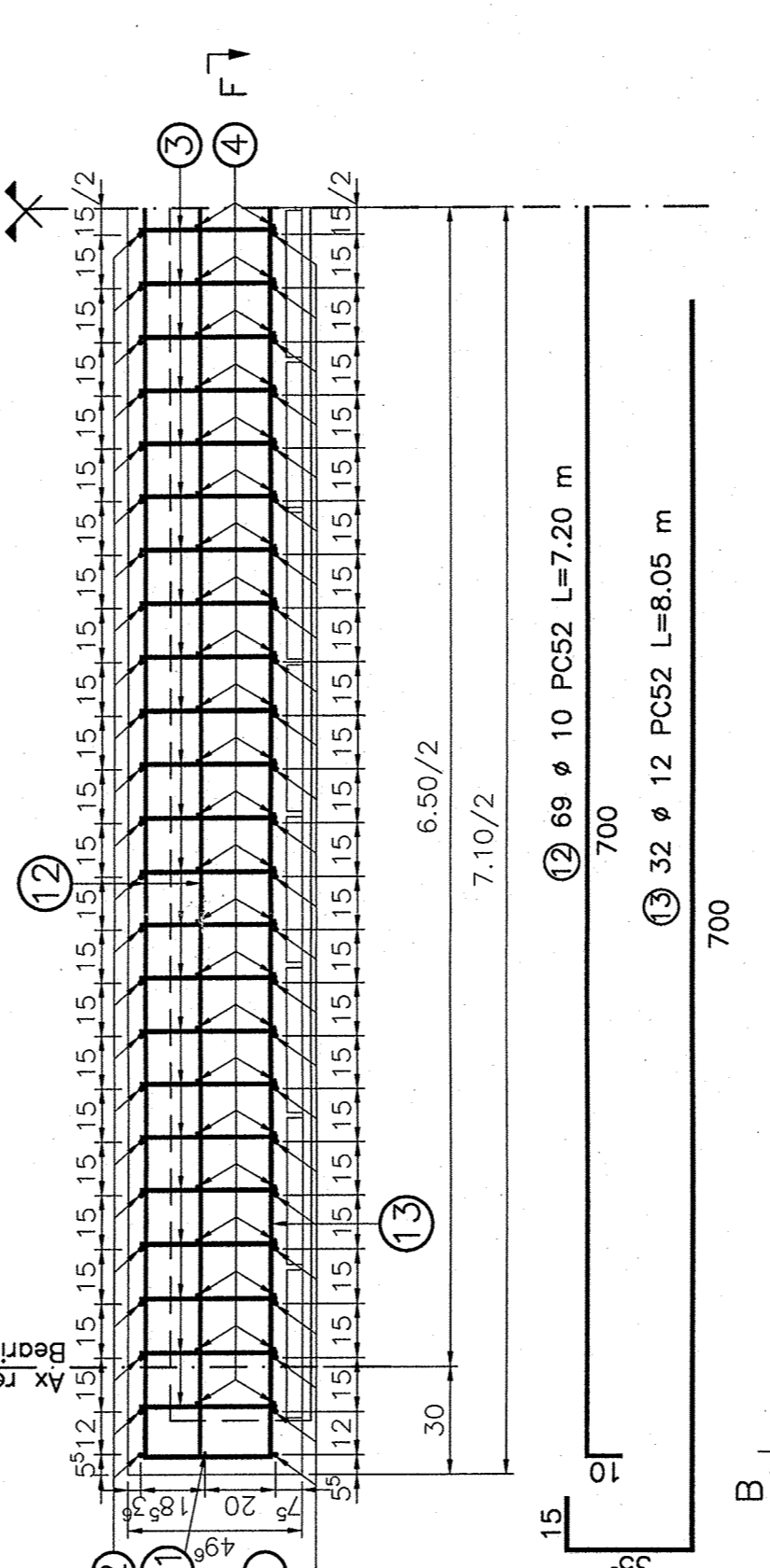
SECTIUNE TRANSVERSALA B-B/CROSS SECTION B-B  
Scara 1:20/Scale 1:20



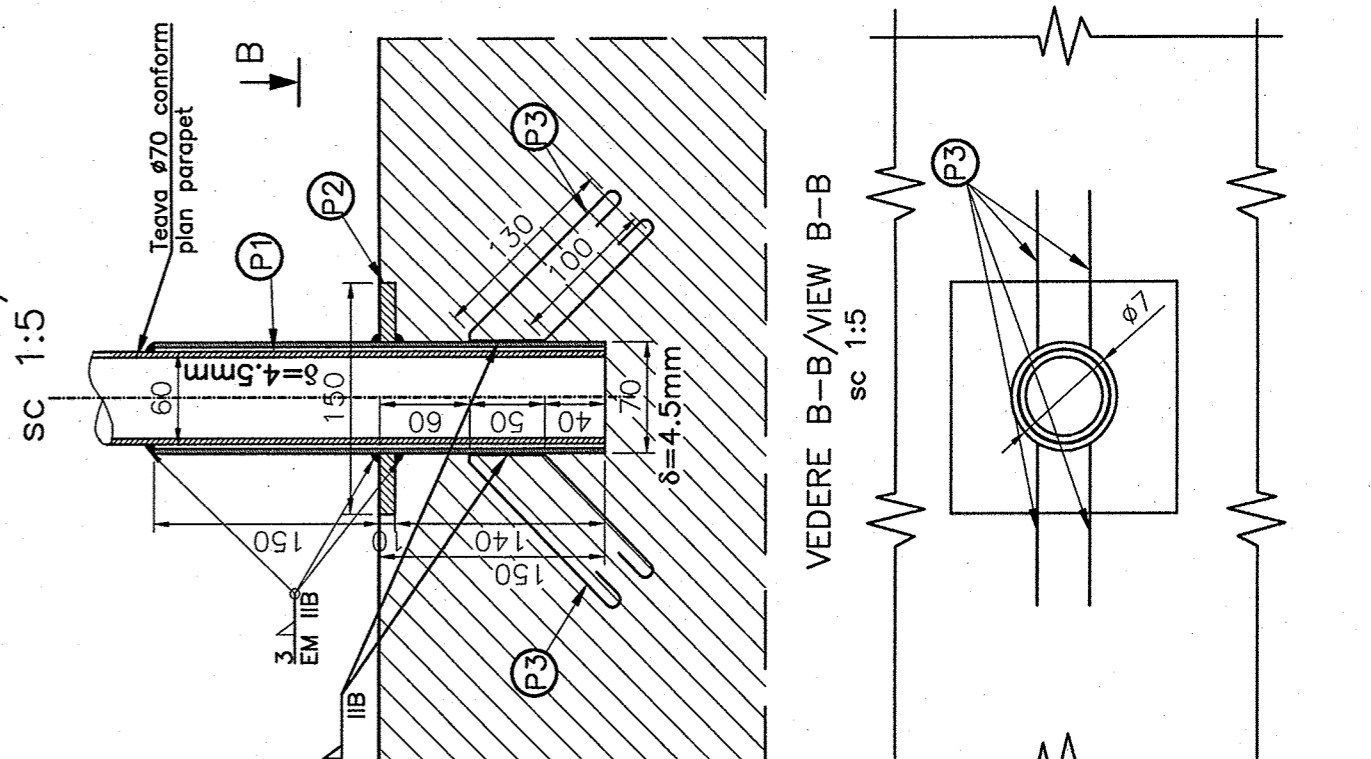
SECTIUNE E-E/SECTION E-E  
Scara 1:20/Scale 1:20



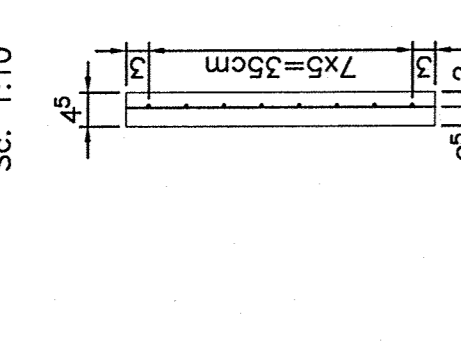
SECTIUNE D-D/SECTION D-D  
Scara 1:20/Scale 1:20



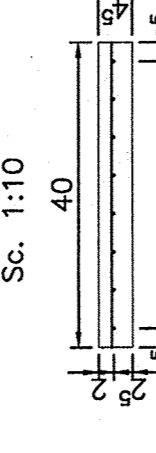
DETALIUL A/A DETAIL  
Sc 1:5



SECTIUNE 2-2 SELF-SUPPORTING SLAB  
2-2 SECTION  
Sc. 1:10



SECTIUNE 1-1  
1-1 SECTION  
Sc. 1:10



EXTRAS ARMATURA REINFORCEMENT LABEL

| Marca                         | φ (mm) | n (buc.) | l (m) | OB37 φ8 | PC52 φ10 | PC52 φ12 | PC52 φ16 |
|-------------------------------|--------|----------|-------|---------|----------|----------|----------|
| 1                             | 16     | 48       | 5.80  |         |          |          | 278.40   |
| 2                             | 16     | 48       | 6.75  |         |          |          | 324.00   |
| 3                             | 12     | 322      | 1.55  |         |          |          | 499.10   |
| 4                             | 10     | 322      | 1.65  |         |          |          | 531.30   |
| 5                             | 10     | 23       | 1.10  | 26.25   |          |          | 25.30    |
| 6                             | 8      | 75       | 0.35  |         | 25.30    |          | 25.30    |
| 7                             | 10     | 23       | 1.10  |         | 50.00    |          | 92.50    |
| 8                             | 10     | 50       | 1.00  |         |          |          | 142.50   |
| 9                             | 12     | 50       | 1.85  |         |          |          | 496.80   |
| 10                            | 8      | 50       | 0.85  | 42.50   |          |          | 257.60   |
| 11                            | 12     | 50       | 2.85  |         |          |          | 7.00     |
| 12                            | 10     | 69       | 7.20  |         |          |          | 26.40    |
| 13                            | 10     | 32       | 8.02  |         |          |          | 8.80     |
| 14                            | 12     | 4        | 1.75  |         |          |          | 33.60    |
| 15                            | 10     | 16       | 1.65  |         |          |          | 4.50     |
| 16                            | 12     | 4        | 2.20  |         |          |          | 27.60    |
| 17                            | 10     | 16       | 2.10  |         |          |          | 4.00     |
| 18                            | 10     | 2        | 2.25  |         |          |          | 5.00     |
| 19                            | 10     | 12       | 2.30  |         |          |          | 1007.50  |
| 20                            | 10     | 2        | 2.00  |         |          |          | 0.868    |
| 21                            | 10     | 1        | 5.00  |         |          |          | 27.13    |
| TOTAL LUNGIMI PE DIAMETRU (m) |        |          |       |         |          |          | 2632.00  |
| GREUTATE PE METRU (kg/m)      |        |          |       |         |          |          | 68.75    |
| GREUTATE PE DIAMETRU (kg)     |        |          |       |         |          |          | 3.395    |
| GREUTATE PE TIP OTEL (kg)     |        |          |       |         |          |          | 27.13    |
| GREUTATE TOTALA (kg)          |        |          |       |         |          |          | 2694.00  |

ARMATURA: REINFORCEMENT:  
PC52  
PC52 COVER 4-5cm  
ACOPERIRE: 4-5cm CONCRETE

EXTRAS MATERIAL PENTRU FINARE GRUZI HEBA40  
NECESSARY METALLIC MATERIAL FOR FIXING BEAMS HEBA40

EXTRAS MATERIAL PENTRU PRINDERE PARAPET 1 TABLER  
NECESSARY METALLIC MATERIAL FOR HANDRAIL FIXING FOR ONE DECK

| Denumirea piesei/Name of the piece | GREUTATI/WEIGHTS |        |
|------------------------------------|------------------|--------|
|                                    | kg/buc.          | kg     |
| P1 7x46x5mm                        | 10               | 9.070  |
| P2 150x10-150                      | 10               | 1.464  |
| P5 8x6 mm                          | 70               | 3.123  |
| Total material/Total elements      |                  | 197.00 |

| Denumirea piesei/Name of the piece | GREUTATI/WEIGHTS |        |
|------------------------------------|------------------|--------|
|                                    | kg/buc.          | kg     |
| P1 7x46x5mm                        | 10               | 9.070  |
| P2 150x10-150                      | 10               | 1.464  |
| P5 8x6 mm                          | 70               | 3.123  |
| Total material/Total elements      |                  | 130.00 |

Piesa sudata STNB/Welded net STNB  
7x46x5mm  
Greutate pe bucata=7x46x0,87=66,85kg  
Greutate totala=7x66,85=467,95kg

DA LA PREFABRICATA  
SELF-SUPPORTING SLAB

PROIECTANT  
Ing. Stan Dabala  
Ing. Stan Vere-Oros  
Ing. Stan Vere-Oros

REPRODUCEREA BENEFICIAR: **PROIECT**  
ING. STAN VERE-OROS  
ING. STAN VERE-OROS

REPUBLICA ROMANIA  
ROMANIA NATIONAL COMPANY  
Ministry of Transport

PROIECTANT  
Ing. Stan Dabala  
Ing. Stan Vere-Oros  
Ing. Stan Vere-Oros

PROIECTANT  
Ing. Stan Dabala  
Ing. Stan Vere-Oros  
Ing. Stan Vere-Oros

PROIECTANT  
Ing. Stan Dabala  
Ing. Stan Vere-Oros  
Ing. Stan Vere-Oros

PROIECTANT  
Ing. Stan Dabala  
Ing. Stan Vere-Oros  
Ing. Stan Vere-Oros

PROIECTANT  
Ing. Stan Dabala  
Ing. Stan Vere-Oros  
Ing. Stan Vere-Oros

PROIECTANT  
Ing. Stan Dabala  
Ing. Stan Vere-Oros  
Ing. Stan Vere-Oros

PROIECTANT  
Ing. Stan Dabala  
Ing. Stan Vere-Oros  
Ing. Stan Vere-Oros

PROIECTANT  
Ing. Stan Dabala  
Ing. Stan Vere-Oros  
Ing. Stan Vere-Oros